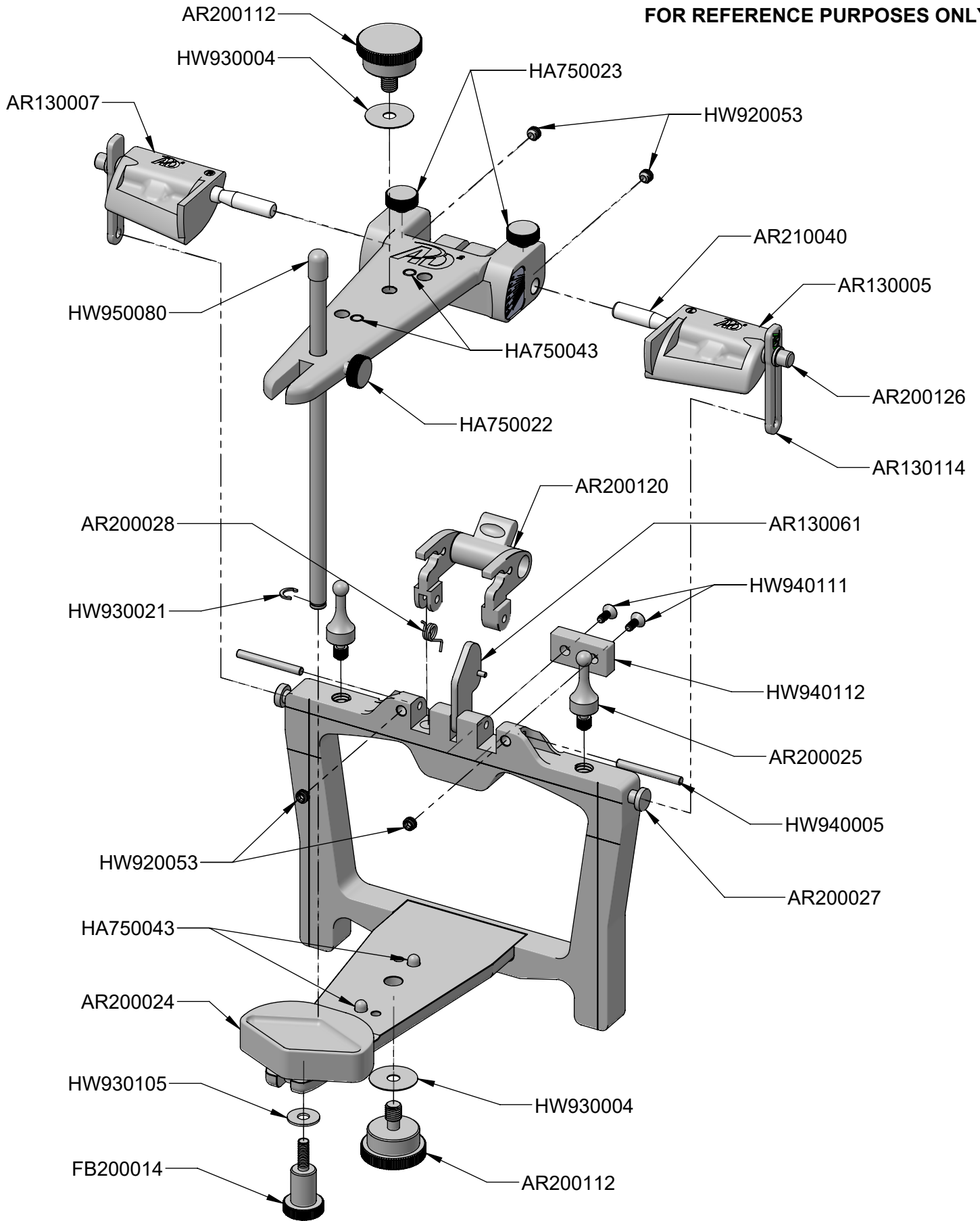
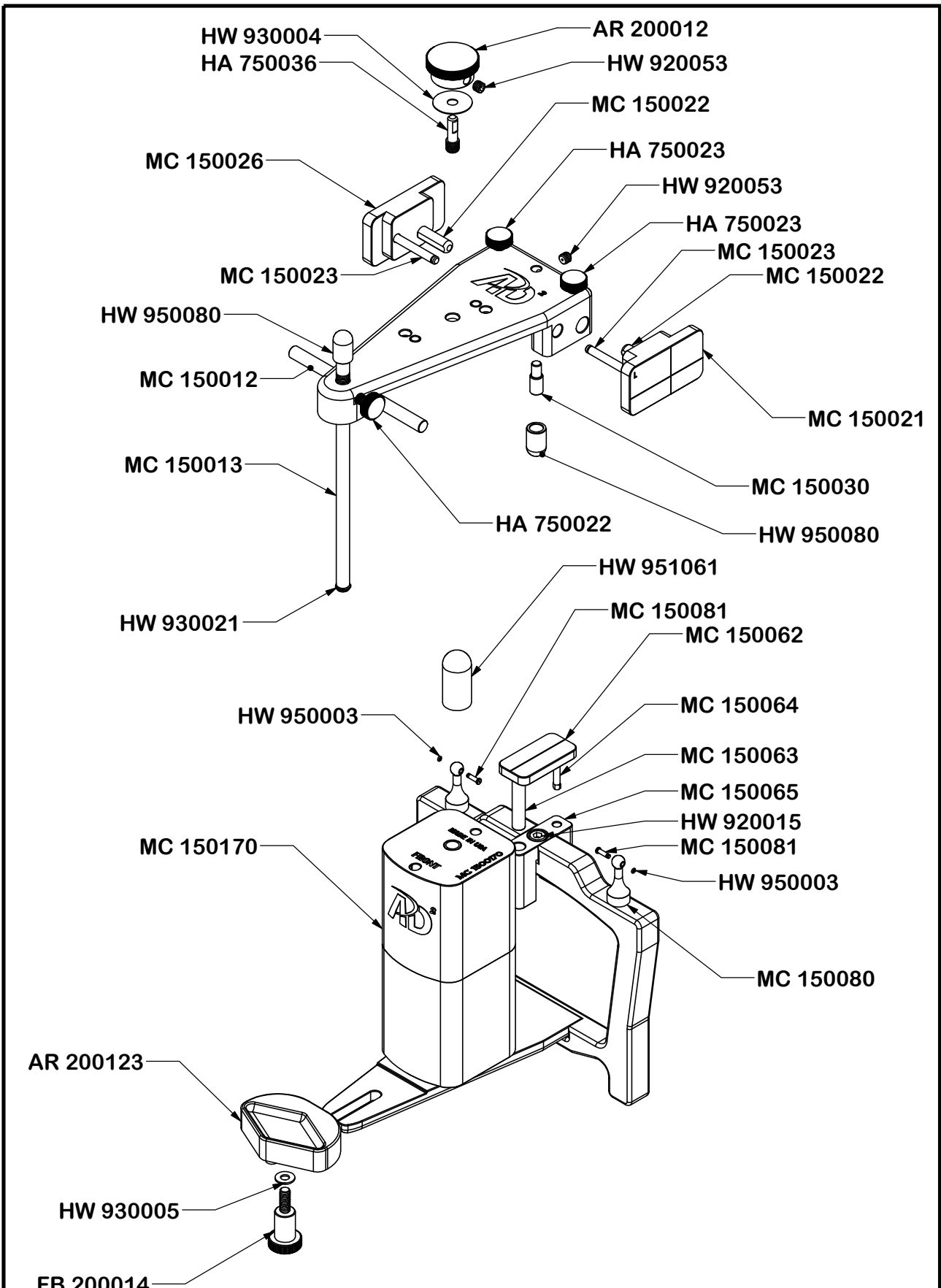


FOR REFERENCE PURPOSES ONLY



ARTICULATOR SYSTEM

THE EXPLODED PARTS DIAGRAM



For reference purposes only



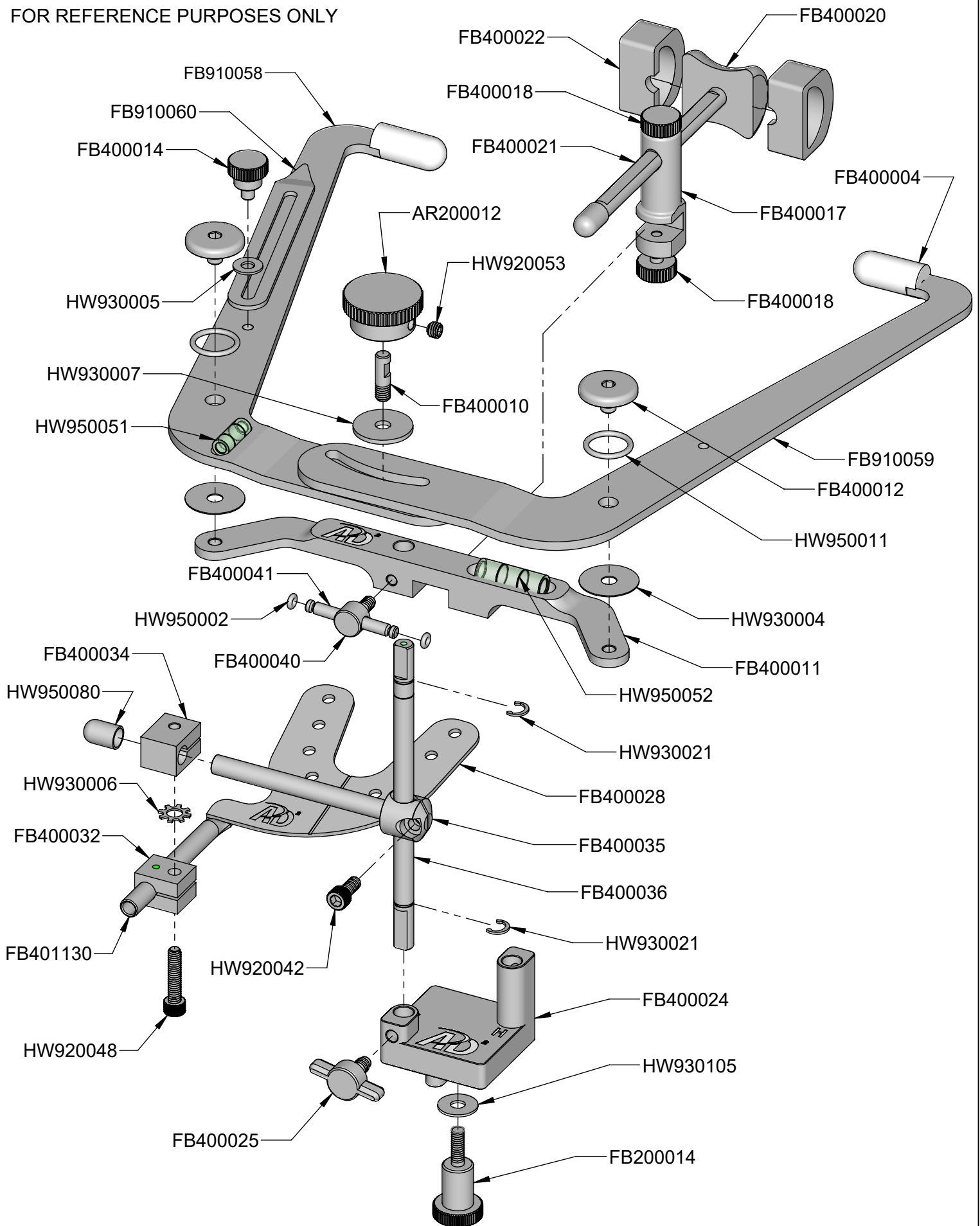
TITLE:

**M.C.D. SYSTEM**

DWG NO.

**MC 100010**

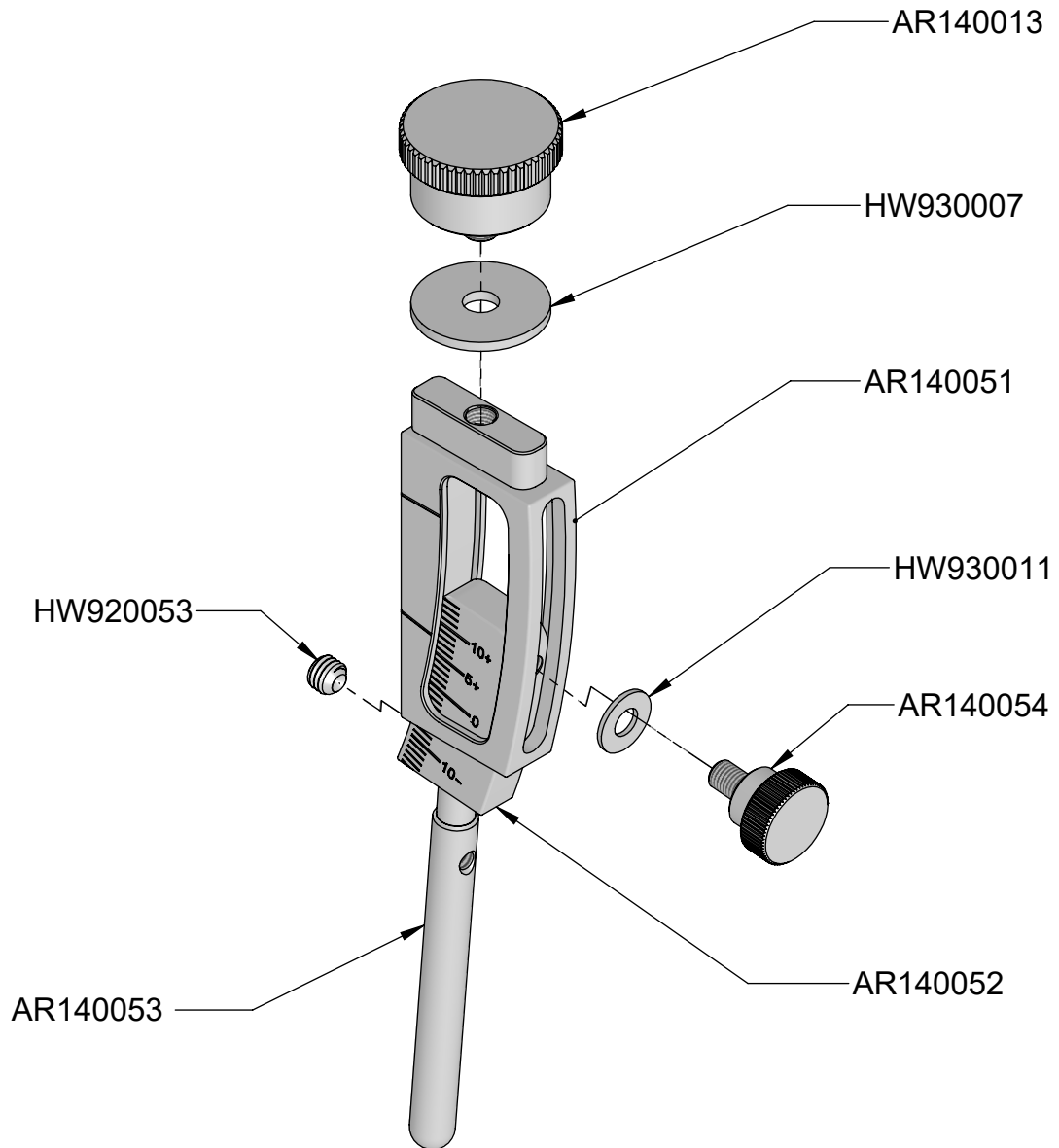
FOR REFERENCE PURPOSES ONLY



FACEBOW SYSTEM

THE EXPLODED DIAGRAM PARTS

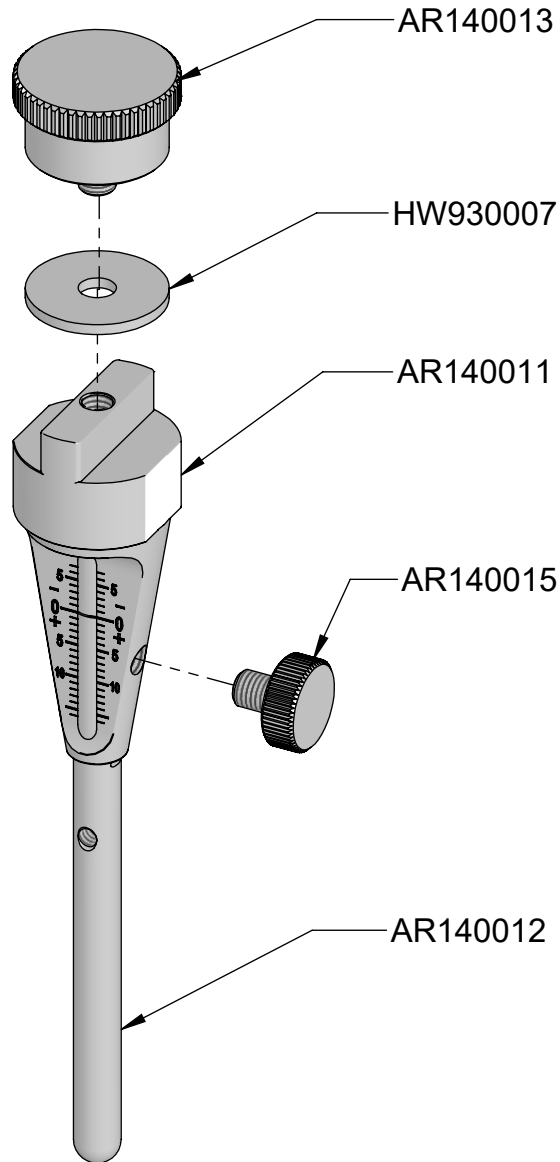
FOR REFERENCE PURPOSES ONLY



CURVED INCISAL PIN MODULE

THE EXPLODED DIAGRAM PARTS

FOR REFERENCE PURPOSES ONLY



STRAIGHT INCISAL PIN MODULE

THE EXPLODED PARTS DIAGRAM